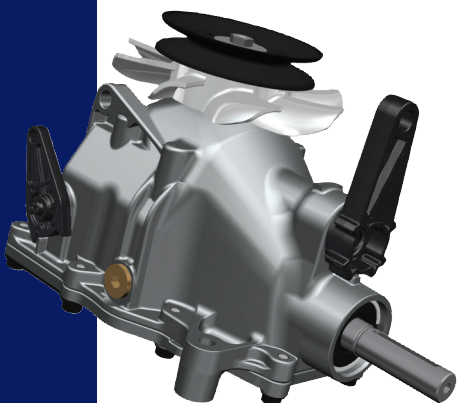


# RT-310™

## DESIGNED FOR THE TOUGHEST JOB

- ⚙ Engineered for both power & durability, providing unmatched performance for the long haul
- ⚙ The RT-310's infinitely variable output speed provides superior control to power through the toughest chores
- ⚙ Maintenance-free design for longer life



 **HYDRO-GEAR®**

DESIGNED & ASSEMBLED IN THE USA

# EFFICIENT & RELIABLE

## SPECIFICATIONS

Overall Transmission Reduction	3.4:1
Pump Displacement	0.18 in <sup>3</sup> /rev [3 cc/rev]
Motor Displacement	0.62 in <sup>3</sup> /rev [10.2 cc/rev]
Input Speeds	
Max Hi-idle (No Load)	3100 rpm
Min (Loaded)	500 rpm
Output Torque	
Continuous	5.9 lb-ft [8.0 Nm]
Intermittent	13.6 lb-ft [18.4 Nm]
Output Shaft Diameter	0.625 in [15.9 mm]
Output Shaft Type	Keyway 1.17 in x 0.1892 in [29.7 mm x 4.8 mm]
Weight of Unit	11 lbs [5 kg]

*Specifications subject to change without notice*

FOR MORE INFORMATION VISIT:  
[WWW.HYDRO-GEAR.COM](http://WWW.HYDRO-GEAR.COM)



RT1310-10/2017-V1