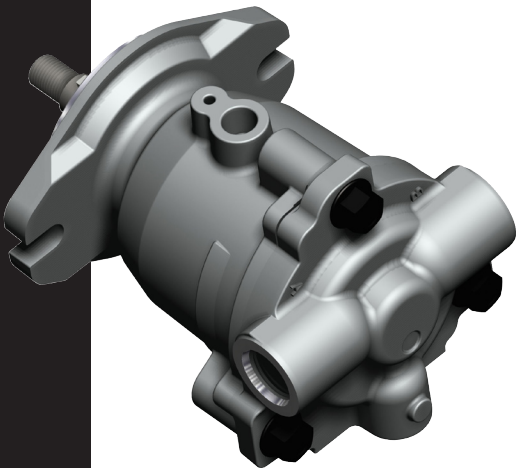


HEM MOTORS

QUIET OPERATION SMOOTH POWER

- ⚙️ The perfect choice for any medium-duty application
- ⚙️ Longer durability for years of efficient, high-performing use
- ⚙️ Improved noise quality that provides increased operator comfort
- ⚙️ Optional speed sensor for precise control



HYDRO-GEAR[®]
COMMERCIAL

DESIGNED & ASSEMBLED IN THE USA

HIGH-EFFICIENCY HYDRAULIC MOTORS

SPECIFICATIONS

	HEM 10	HEM 12
Displacement	10 cc/rev [0.62 CIR]	12 cc/rev [0.73 CIR]
Output Speed Range	50 - 4200 rpm	50 - 4200 rpm
System Pressure ¹		
Continuous	2500 psi [172 bar]	2500 psi [172 bar]
Intermittent	3500 psi [241 bar]	3500 psi [241 bar]
Peak	4500 psi [310 bar]	4500 psi [310 bar]
Weight	6.5 lbs [2.9 kg]	6.5 lbs [2.9 kg]

1) Based on designed hours of life.
Application Review recommended for heavy duty cycles.

Specifications subject to change without notice

APPLICATIONS

- Augers
- Bow Thrusters
- Conveyors
- Fan Drives
- Hand Tools
- Product Pump Drives
- Rack Drives
- Saw Drives
- Spinners
- Swing Drives
- Vibratory Drives
- Wheel Drives
- Winch Drives



HEM-09/2016-V1

**FOR MORE INFORMATION VISIT:
WWW.HYDRO-GEAR.COM**

